

ERMOKS
FASTENERS



FASTENERS
PRODUCT CATALOG



“Quality Products,
Satisfied Customers.”

“

We are working and producing so as to support the market about Rock Bolts, Umbrella Arch Systems, Iksa Profile, steel construction structures and Plasma Sheet Cutting with our units which were opened in order to be a solution partner to building industry, within the body of our firm that was founded in Ostim, Ankara in 1974 with the aim of facilitating the human life by the help of Steel Systems that have already been used in many countries and widely used to produce those products in our country.

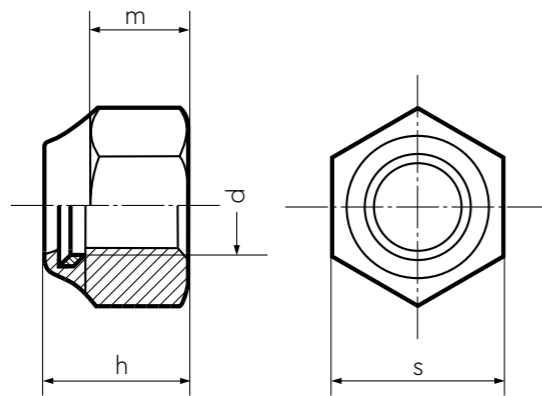
We, ERMAKS MÜHENDİSLİK, have been proceeding on our way by putting our signature to successful works at home and abroad with our solution partners trusting us by meeting technology with our creative, innovative, pleasing, loyal and expert staff since we were founded over 45 years ago.

”



Metric nylon insert nuts

We also stock DIN 6924 and left hand thread. Contact us to check dimensions.

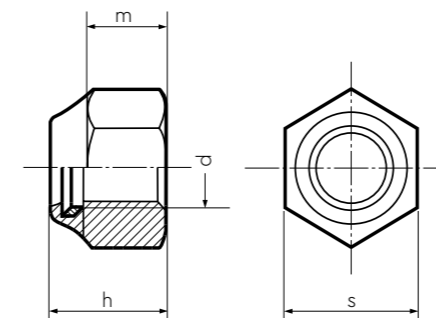


DIN 985/982

Grades 8, 10, 12 and Brass

Size	Std Pitch	Fine Pitch 1	Fine Pitch 2	s	DIN 985			DIN 982		
					h	m	Wgt Kgs/1000	h	m	Wgt Kgs/1000
M2	0.4	-	-	4	2.5	1.8	0.2	-	-	-
M2.5	0.45	-	-	5	2.8	2.25	0.3	-	-	-
M3	0.5	-	-	5.5	4.0	2.4	0.4	-	-	-
M3.5	0.6	-	-	6	4.5	3.2	0.5	-	-	-
M4	0.7	-	-	7	5	2.5	1	-	-	-
M5	0.8	-	-	8	5	3.5	1.4	6.3	4	1.4
M6	1	-	-	10	6	4.5	2.4	8	5	2.5
M7	1	-	-	11	7.5	5.5	3	8.5	5.5	3.25
M8	1.25	M8x1	-	13	8	6	5.1	9.5	6.5	5.6
M10	1.5	M10x1.25	M10x1	17	10	7.5	10.6	11.5	8	12.5
M12	1.75	M12x1.5	M12x1.25	19	12	8.5	17.2	14	10	18
M14	2	M14x1.5	-	22	14	11.5	26	16	11	26.5
M16	2	M16x1.5	-	24	16	12.5	34	18	13	35
M18	2.5	M18x2	M18x1.5	27	18	14	45	20	15	47.5
M20	2.5	M20x2	M20x1.5	30	20	15	62	22	16	65
M22	2.5	M22x2	M22x1.5	32	22	16	75	25	18	78
M24	3	M24x2	M24x1.5	36	24	18	100	28	19	110
M27	3	M27x2	M27x1.5	41	27	21	162	30.5	23	182
M30	3.5	M30x2	M30x1.5	46	30	23	212	35	27	267
M33	3.5	M33x2	M33x1.5	50	33	25	317	-	-	-
M36	4	M36x2	M36x1.5	55	36	27	415	-	-	-
M39	4	M39x3	-	60	39	30	499	-	-	-
M42	4.5	M42x3	-	65	42	33	628	-	-	-
M45	4.5	M45x3	-	70	45	35	771	-	-	-
M48	5	M48x3	-	75	48	38	998	-	-	-
M52	5	M52x3	-	80	52	42	1265	-	-	-
M56	5.5	-	-	85	56	45	1510	-	-	-
M64	6	-	-	95	64	51	2000	-	-	-
Available in brass										
M4	0.7	-	-	7	4	2.5	1	-	-	-
M5	0.8	-	-	8	5	3.5	1.4	6.3	4	1.4
M6	1	-	-	10	6	4.5	2.4	8	5	2.5
M8	1.25	-	-	13	8	6	5.1	9.5	6.5	5.6
M10	1.5	-	-	17	10	7.5	10.6	11.5	8	12.5

UNF & UNC nylon insert nuts



See page 10/11 for details of American products.

Size	Threads per inch		s	P type			T type			
	UNF	UNC		h	m	Wgt Kgs/1000	h	m	Wgt Kgs/1000	
4	48	40	0.187	0.149	0.100	0.45	-	-	-	
6	40	32	0.250	0.180	0.127	0.70	0.133	0.083	0.54	
8	36	32	0.312	0.245	0.193	2.25	0.180	0.128	1.13	
10	32	24	0.312	0.245	0.189	2.25	0.180	0.124	1.13	
1/4	28	20	0.437	0.325	0.232	4.04	0.268	0.182	3.26	
3/8	24	18	0.500	0.390	0.280	5.40	0.365	0.250	4.80	
1/2	24	16	0.562	0.435	0.332	8.00	0.360	0.262	6.40	
5/8	20	14	0.687	0.500	0.372	14.20	0.435	0.312	11.60	
3/4	20	13	0.750	0.585	0.432	17.10	0.470	0.318	14.00	
7/8	18	12	0.875	0.680	0.547	33.00	0.548	0.405	25.20	
1	18	11	0.937	0.740	0.554	37.00	0.548	0.383	27.00	
1 1/8	16	10	1.125	0.860	0.641	61.00	0.640	0.427	50.00	
1 1/4	14	9	1.312	0.995	0.766	100.00	0.731	0.501	75.00	
1 1/2	12	8	1.500	1.085	0.806	125.00	0.773	0.507	100.00	
1 3/4	12	7	1.687	1.285	1.018	212.00	0.870	0.587	122.00	
2	12	7	1.875	1.345	1.050	288.00	1.005	0.684	213.00	
2 1/2	12	6	2.250	1.604	1.262	480.00	1.169	0.808	321.00	
BA										
6	47.9	-	0.193	0.157	0.115	0.35	0.125	0.070	0.27	
4	38.5	-	0.248	0.215	0.150	0.85	0.167	0.100	0.70	
2	31.4	-	0.324	0.275	0.200	2.20	0.233	0.170	1.65	
0	25.4	-	0.413	0.290	0.239	3.24	0.226	0.157	2.40	
BSW BSF										
3/8	24	32	0.324	0.250	0.178	2.10	0.186	0.124	1.50	
1/4	20	26	0.445	0.320	0.247	4.35	0.270	0.192	3.42	
5/8	18	22	0.525	0.400	0.300	7.60	0.325	0.220	4.60	
3/4	16	20	0.600	0.455	0.362	9.75	0.380	0.288	7.20	
7/8	14	18	0.710	0.525	0.421	17.00	0.445	0.341	11.90	
1/2	12	16	0.820	0.640	0.502	27.20	0.495	0.345	19.60	
5/8	12	16	0.920	0.658	0.511	38.00	0.500	0.353	24.60	
3/4	11	14	1.01	0.757	0.606	46.00	0.572	0.398	34.00	
1	10	12	1.20	0.940	0.727	83.00	0.710	0.494	55.00	
1 1/8	9	11	1.30	1.034	0.804	111.00	0.789	0.557	73.00	
1 1/4	8	10	1.48	1.170	0.893	150.00	0.885	0.602	105.00	
1 3/8	7	9	1.67	1.275	1.00	173.00	0.940	0.672	140.00	
1 1/2	7	9	1.86	1.420	1.104	280.00	1.045	0.714	214.00	
1 3/4	6	8	2.22	1.714	1.352	508.00	1.254	0.894	344.00	

All metal self locking nuts – Stover

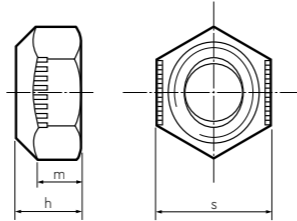
Size	Std Pitch	Fine Pitch 1	Fine Pitch 2	s	h	m
M4	0.7	-	-	7	4	2.5
M5	0.8	-	-	8	5	3.5
M6	1	-	-	10	6	4.5
M8	1.25	M8x1	-	13	8	6
M10	1.5	M10x1.25	M10x1	17	10	7.5
M12	1.75	M12x1.5	M12x1.25	19	12	8.5
M14	2	M14x1.5	-	22	14	11.5
M16	2	M16x1.5	-	24	16	12.5
M18	2.5	M18x2	M18x1.5	27	18	14
M20	2.5	M20x2	M20x1.5	30	20	15.4
M22	2.5	M22x2	M22x1.5	32	22	16.9
M24	3	M24x2	M24x1.5	36	24	18.5
M27	3	M27x2	M27x1.5	41	27	20.8
M30	3.5	M30x2	M30x1.5	46	30	23.1
M33	3.5	M33x2	M33x1.5	50	33	25.4
M36	4	M36x2	M36x1.5	55	36	27.2

Cleveloc style nuts

Size	Std Pitch	Fine Pitch 1	Fine Pitch 2	h		s		m	Wgt Kgs/1000
				Max	Min	Max	Min		
M4	0.7	-	-	4.2	3.9	7	6.78	2.2	0.8
M5	0.8	-	-	5.1	4.8	8	7.78	2.75	1.3
M6	1	M6x0.75	-	6	5.7	10	9.78	3.3	2.6
M7	1	-	-	7	6.5	11	10.73	3.85	3.6
M8	1.25	M8x1	-	8	7.5	13	12.73	4.4	5.6
M10	1.5	M10x1.25	M10x1	10	9	17	16.73	5.5	12
M12	1.75	M12x1.5	M12x1.25	12	11	19	18.67	6.6	17.5
M14	2	M14x1.5	-	14	12	22	21.67	7.7	22
M16	2	M16x1.5	-	16	14	24	23.67	8.8	30.5
M18	2.5	M18x2	M18x1.5	18	16	27	26.16	9.9	52
M20	2.5	M20x2	M20x1.5	20	18	30	29.16	11	70.5
M22	2.5	M22x2	M22x1.5	22	20	32	31	12.2	85
M24	3	M24x2	M24x1.5	24	22	36	35	13.2	103
M27	3	M27x2	M27x1.5	27	25	41	40	14.8	178
M30	3.5	M30x2	M30x1.5	30	28	46	45	16.5	239

DIN 980V

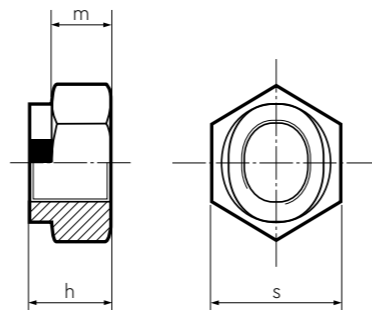
Grades 8, 10 and 12



Fine pitch.
DIN 980V and DIN 6925.
Stock range M4 to M48.

DIN 980V

Grades 8, 10 and 12



Fine pitch.

All metal self locking nuts – BIW

Size	Std Pitch	s	h
M5	0.8	8	4
M6	1	10	5
M8	1.25	13	6.5
M10	1.5	17	8
M12	1.75	19	10
M16	2	24	12

All metal self locking nuts – V3

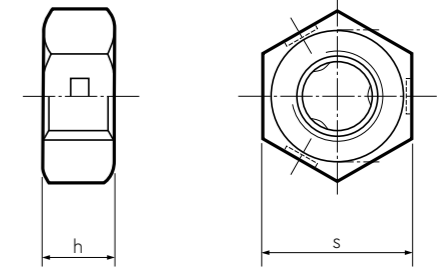
Size	Std Pitch	s	h	m
M5	0.8	8	4.5	4
M6	1	10	5.5	5
M8	1.25	13	7	6.5
M10	1.5	17	8.6	8
M12	1.75	19	10.6	10
M16	2	24	13	12

All metal self locking nuts – Vargal

Size	Std Pitch	s	h	m
M5	0.8	8	6.3	4
M6	1	10	8.2	4.5
M8	1.25	13	10.8	6.7
M10	1.5	17	12.6	8
M12	1.75	19	16	10.6
M14	2	22	18	12
M16	2	24	20.6	13.5
M18	2.5	27	22.5	14.5
M20	2.5	30	25.5	16.9
M22	2.5	32	29.8	20.5
M24	3	36	29.9	20.6
M27	3	41	33.7	24.3
M30	3.5	46	37	26.6
M33	3.5	50	40.5	28.8
M36	4	55	44.2	31.5

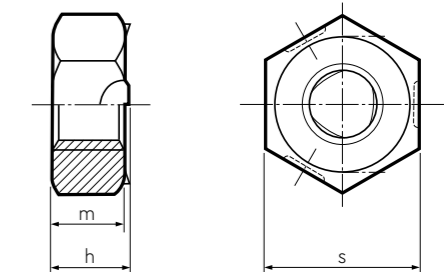
DIN 980

Centre lock Grade 8



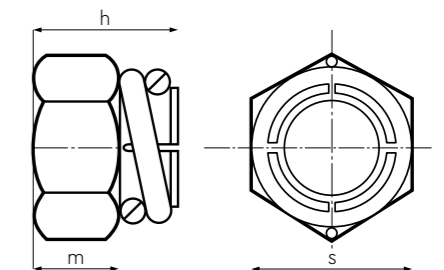
DIN 980

Clinch lock Grade 8



Available in stainless steel.

Grade 8 and 10

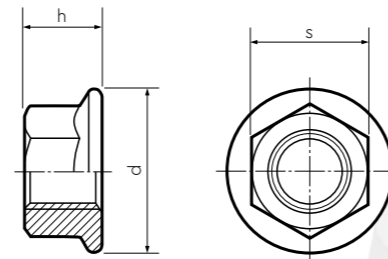


Flange nuts

Size	Std Pitch	Fine Pitch	s	h	d
M3	0.5	-	5.5	4	7.9
M4	0.7	-	7	4.6	-
M5	0.8	-	8	5	11.8
M6	1	-	10	6	14.2
M8	1.25	M8x1	13	8	17.9
M10	1.5	M10x1.25	15	10	21.8
M12	1.75	M12x1.5	18	12	26
M14	2	M14x1.5	21	14	29.9
M16	2	M16x1.5	24	16	34.5
M20	2.5	-	30	20	42.8
M24	3	-	36	24	45

DIN 6923

Grades 8, 10 and 12
Plain and serrated



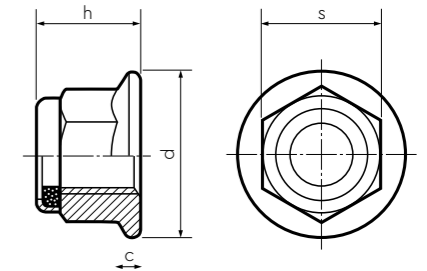
Available in stainless steel.

Nylon insert flange nuts

Size	Std Pitch	Fine Pitch	s	h	c	d
M4	0.7	-	7	5.5	-	-
M5	0.8	-	8	7.1	1	11.8
M6	1.0	-	10	9.1	1.1	14.2
M8	1.25	M8x1	13	11.1	1.2	17.9
M10	1.5	M10x1.25	15	13.5	1.5	21.8
M12	1.75	M12x1.5	18	16.1	1.8	26
M14	2.0	M14x1.5	21	18.2	2.1	29.9
M16	2.0	M16x1.5	24	20.3	2.4	34.5
M20	2.5	M20x1.5	30	24.8	3	42.8
M24	3.0	M24x2	36	24	5	45

DIN 6926

Grades 8 and 10



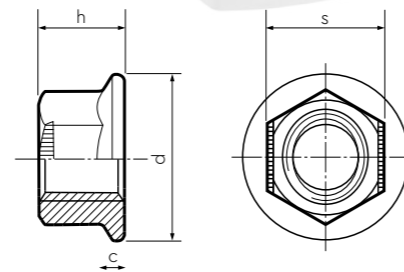
Available in stainless steel.

Stover flange nuts

Size	Std Pitch	Fine Pitch	s	h	c	d
M4	0.7	-	7	4	-	-
M5	0.8	-	8	6.2	1	11.8
M6	1.0	-	10	7.3	1.1	14.2
M8	1.25	M8x1	13	9.4	1.2	17.9
M10	1.5	M10x1.25	15	11.4	1.5	21.8
M12	1.75	M12x1.5	18	13.8	1.8	26.0
M14	2.0	M14x1.5	21	15.9	2.1	29.9
M16	2.0	M16x1.5	24	18.3	2.4	34.5
M20	2.5	M20x1.5	30	22.4	3.0	42.8
M24	3.0	M24x2	36	30.0	6.8	45

DIN 6927

Grades 8 and 10

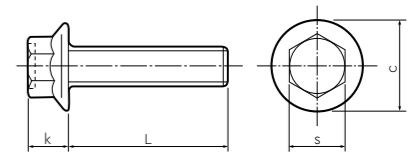


Serrated flange head set screws

Size	Std Pitch	L1	L2	L3	L4	L5	L6	L7	s	c	k
M5	0.8	10	12	16	20	25	-	-	8	11.8	5.4
M6	1	12	16	20	25	30	-	-	10	14.2	6.6
M8	1.25	12	16	20	25	30	40	50	13	18	8.1
M10	1.5	25	30	35	40	50	-	-	15	2.3	9.2
M12	1.75	25	30	35	40	45	50	-	18	26.6	11.5
M14	2	35	40	50	75	90	-	-	-	30.5	12.8
M16	2	30	45	60	-	-	-	-	21	35	14.4

DIN 6921

Grade 8.8 Zinc Yellow



Some sizes now stocked in Grade 10.9, please contact us for details.

Plain flanged head sets available to order.

Full nuts

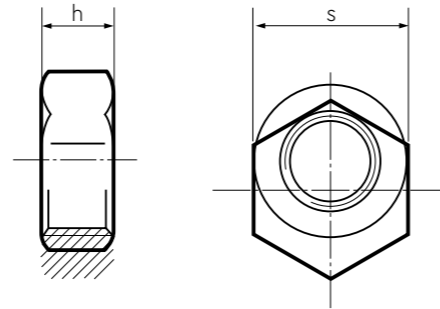
Size	Std Pitch	Fine Pitch 1	Fine Pitch 2	s	h	Wgt Kgs/1000
M4	0.7	-	-	7	2.4	0.36
M5	0.8	-	-	8	4	0.5
M6	1	0.75	-	10	5	0.8
M7	1	-	-	11	5.5	1.5
M8	1.25	M8x1	-	13	6.5	3.8
M10	1.5	M10x1.25	M10x1	17	8	8
M12	1.75	M12x1.5	M12x1.25	19	10	11
M14	2	M14x1.5	-	22	11	17
M16	2	M16x1.5	-	24	13	19.5
M18	2.5	M18x2	M18x1.5	27	15	28.5
M20	2.5	M20x2	M20x1.5	30	16	35.5
M22	2.5	M22x2	M22x1.5	32	18	41
M24	3	M24x2	M24x1.5	36	19	56
M27	3	M27x2	M27x1.5	41	22	87
M30	3.5	M30x2	M30x1.5	46	24	105
M33	3.5	M33x2	M33x1.5	50	26	155
M36	4	M36x2	M36x2	55	29	180
M39	4	M39x3	-	60	31	450
M42	4.5	M42x3	-	65	34	610
M45	4.5	M45x3	-	70	36	750
M48	5	M48x3	-	75	38	890

Castle nuts

Size	Std Pitch	Fine Pitch	m	s	w
M5	0.8	-	5.8	8	3.7
M6	1	-	7.5	10	4.5
M8	1.25	M8x1	9.5	13	6.5
M10	1.5	M10x1.25	12	17	8
M12	1.75	M12x1.25	15	19	10
M14	2	M14x1.5	16	22	11
M16	2	M16x1.5	19	24	13
M18	2.5	M18x1.5	21	27	15
M20	2.5	M20x1.5	22	30	16
M22	2.5	M22x1.5	26	32	18
M24	3	M24x2	27	36	19
M27	3	M27x2	30	41	22
M30	3.5	M30x2	33	46	24
M33	3.5	M33x2	35	50	26
M36	4	M36x3	38	55	29

DIN 934

Grades 8, 10 and 12



Grade 10 M4 - M56
Grade 12 M6 - M56

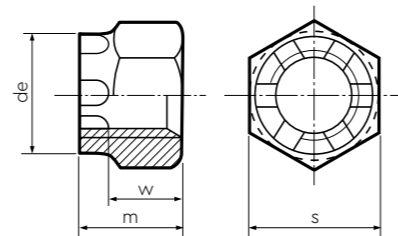
Also stocked in fine pitch and left hand thread.

We offer full nuts to ISO 4032, please contact us for details.

Available in stainless steel.

DIN 935

Grades 8 and 10



Below M12 nuts are slotted.

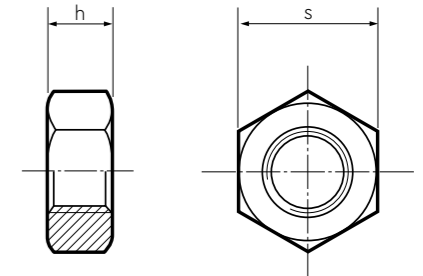
Thin castle nuts (DIN 979 & DIN 937) are also available. Contact us for details.

Lock nuts

Size	Std Pitch	Fine Pitch 1	Fine Pitch 2	s	h		Wgt Kgs/1000
					DIN 936	DIN 439	
M4	0.7	-	-	7	-	2.2	0.5
M5	0.8	-	-	8	-	2.7	0.8
M6	1	-	-	10	-	3.2	1.5
M8	1.25	M8x1	-	13	5	4	3.8
M10	1.5	M10x1.25	M1x1	17	6	5	8
M12	1.75	M12x1.5	M12x1.25	19	7	6	11
M14	2	M14x1.5	-	22	8	7	17
M16	2	M16x1.5	-	24	8	8	19.5
M18	2.5	M18x2	M18x1.5	27	9	9	28.5
M20	2.5	M20x2	M20x1.5	30	9	10	35.0
M22	2.5	M22x2	M22x1.5	32	10	11	41
M24	3	M24x2	M24x1.5	36	10	12	56
M27	3	M27x2	M27x1.5	41	12	13.5	87
M30	3.5	M30x2	M30x1.5	46	12	15	105
M33	3.5	M33x2	M33x1.5	50	14	16.5	155
M36	4	M36x2	M36x1.5	55	14	18	180
M39	4	M39x3	-	60	16	19.5	255
M42	4.5	M42x3	M42x1.5	65	16	21	300
M45	4.5	M45x3	-	70	18	22.5	390
M48	5	M48x3	-	75	18	24	450
M56	5.5	-	-	85	22	-	650

DIN 936/439

DIN 936 - Grade 17H & 22H
DIN 439 - Grade 04 and 05



Grade 17H M8 - M56
Grade 22H M16 - M24

Grade 04 M6 - M24
Grade 05 M10 - M24

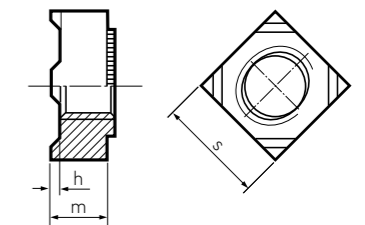
Both DIN 439 and DIN 936 parts are stocked in fine pitch and left hand thread.

We offer lock nuts to ISO 4035, please contact us for details.

Weld nuts - Square

Size	Std Pitch	s	m	h
M4	0.7	8	4	0.7
M5	0.8	9	4.2	0.8
M6	1	10	5	0.8
M8	1.25	14	6.5	0.8
M10	1.5	17	8.5	1.2
M12	1.75	19	9.5	1.4

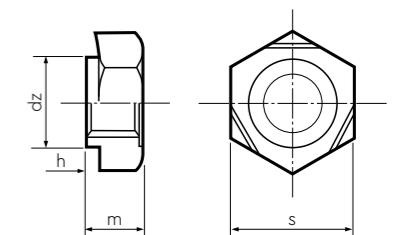
DIN 928



Weld nuts - Hexagon

Size	Std Pitch	s	m	h	dz
M3	0.5	7.5	3	0.55	4.5
M4	0.7	8	3.5	0.7	6
M5	0.8	9	4	0.8	7
M6	1	10	5	0.8	8
M8	1.25	14	6	0.8	10.5
M10	1.5	17	8	1.2	12.5
M12	1.75	19	10	1.4	14.8
M16	2	24	13	1.8	18.8

DIN 929



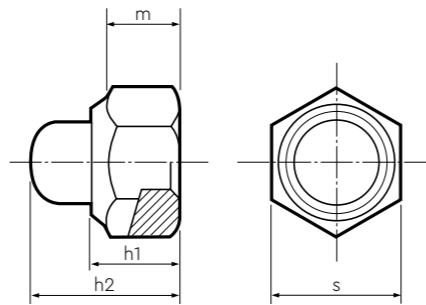
Available in stainless steel.

Dome nuts – Nylon insert

Size	Std Pitch	h2	h1	s	m
M4	0.7	9.6	5.6	-	2.9
M5	0.8	10.5	6	-	4.4
M6	1	12	7.5	10	4.9
M8	1.25	14	8.9	13	6.4
M10	1.5	18.1	10.5	17	8.4
M12	1.75	22.5	13.5	19	10.4
M16	2	27.5	16.5	24	14.1

DIN 986

Grade 8 ZP

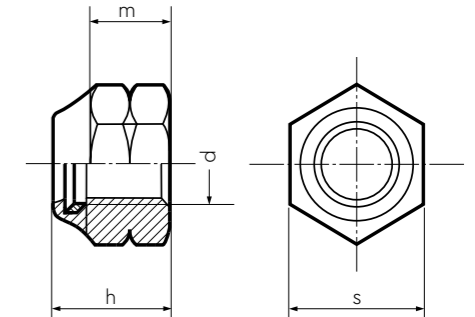


UNF & UNC nylon insert nuts

Size	Threads per inch		s	h	m
	UNF	UNC			
¼	28	20	0.437	0.313	0.225
⅜	24	18	0.500	0.344	0.250
½	24	16	0.562	0.453	0.335
¾	20	14	0.627	0.453	0.324
1	20	13	0.750	0.594	0.464
1 ⅛	18	12	0.875	0.641	0.469
1 ¼	18	11	0.937	0.750	0.593
1 ⅝	16	10	1.064	0.875	0.742
1 ¾	14	9	1.250	0.984	0.790
2	12	8	1.440	1.047	0.825
2 ⅛	12	7	1.627	1.172	0.930
2 ¼	12	7	1.810	1.391	1.125
2 ½	12	6	2.195	1.609	1.313

American Grade

Grade S.A.E. 8

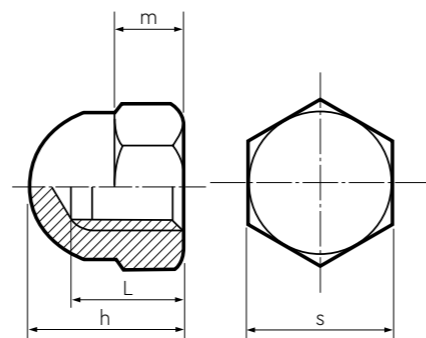


Dome nuts – 1 part steel

Size	Std Pitch	h	L	s	m
M4	0.7	8	5.26	7	3.2
M5	0.8	10	7.21	8	4
M6	1	12	7.7	10	5
M8	1.25	15	10.6	13	5.5
M10	1.5	18	12.6	17	8
M12	1.75	22	15.6	19	10
M16	2	28	20.6	24	13
M20	2.5	34	25.6	30	16
M24	3	43	30.5	36	19
M30	3.5	-	-	-	-

DIN 1587

Grade 8

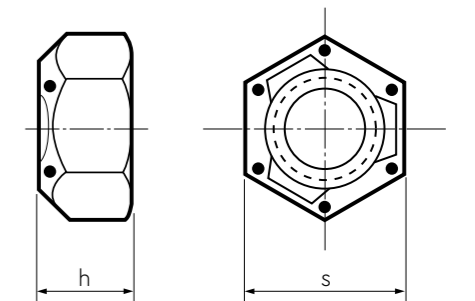


All metal self locking nuts Stover Toplock

Size	Threads per inch		s	h
	UNF	UNC		
¼	28	20	0.437 - 0.428	0.226
⅜	24	18	0.500 - 0.489	0.273
½	24	18	0.562 - 0.551	0.337
¾	20	14	0.687 - 0.675	0.385
1	20	13	0.750 - 0.736	0.448
1 ⅛	18	12	0.875 - 0.861	0.496
1 ¼	18	11	0.937 - 0.922	0.559
1 ⅝	16	10	1.125 - 1.088	0.665
1 ¾	14	9	1.312 - 1.269	0.776
2	12/14	8	1.500 - 1.450	0.887
2 ⅛	12	7	1.687 - 1.631	0.999
2 ¼	12	7	1.875 - 1.812	1.094
2 ½	12	6	2.062 - 1.994	1.206
3	12	6	2.250 - 2.175	1.317

American Grade

Grade C (67 ton)
RC 26-34

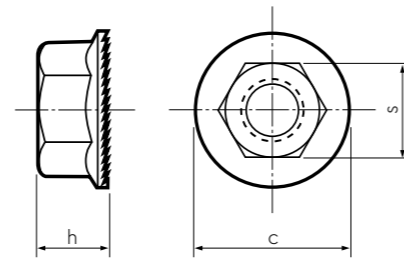


Serrated flange nuts

Size	Threads per inch		s	h	c
	UNF	UNC			
¼	28	20	0.369	0.220	0.578
⅕	24	18	0.438	0.234	0.656
⅜	24	16	0.563	0.344	0.734
½	20	13	0.750	0.453	1.031

American Grade

Case hardened

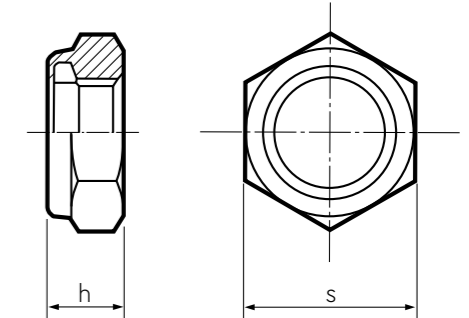


NTE series – Extra thin nylocs

Size	Threads per inch		s	h
	UNF	UNC		
¼	28	20	0.439 - 0.430	0.203
⅕	24	18	0.502 - 0.492	0.260
⅜	24	18	0.564 - 0.553	0.266
½	20	14	0.627 - 0.615	0.313
⅝	20	13	0.752 - 0.741	0.313
⅞	18	12	0.877 - 0.865	0.359
1	18	11	0.940 - 0.928	0.391
1 ¼	16	10	1.064 - 1.052	0.406
1 ½	14	9	1.252 - 1.239	0.469
2	12/14	8	1.440 - 1.427	0.547

American Grade

Grade S.A.E. 8



ERMOKS

FASTENERS

THE SELF LOCKING NUT SPECIALISTS

CENTER

Saraykent Sanayi Sitesi
Saray Caddesi No:21 06980
Kahramankazan
ANKARA/TÜRKİYE

Tel: +90 312 502 17 47
+90 542 100 70 73

FACTORY

Keresteciler Sanayi Sitesi
Adnan Menderes Bulvarı No:21
Kahramankazan
ANKARA/TÜRKİYE

Tel: +90 312 354 77 58
+90 312 386 21 85

FACTORY

Saraykent Sanayi Sitesi
Saray Mahallesi 37. Cadde
No:14 Kahramankazan
ANKARA/TÜRKİYE

Tel: +90 312 394 57 44

FACTORY

Keresteciler Sanayi Sitesi
3.Cadde No:24
Kahramankazan
ANKARA/TÜRKİYE

Tel: +90 312 354 77 58
+90 312 386 21 85